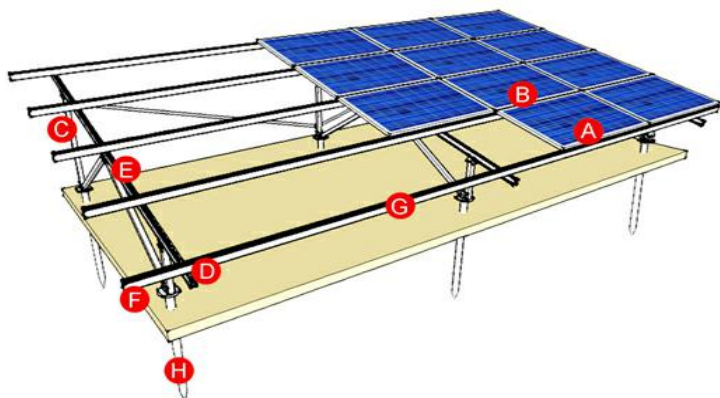




Aluminum Solar Ground Mount

Stonergy Aluminum Ground Mounting System is made of aluminum 6005 T5 with light weight, strong structure, it is applicable to the open field, not only residential projects but also big commercial projects.

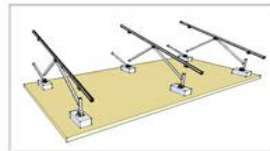


Main Components

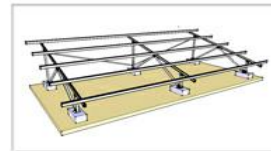


Main Installation Guide

1 Install support structure



2 Install rail



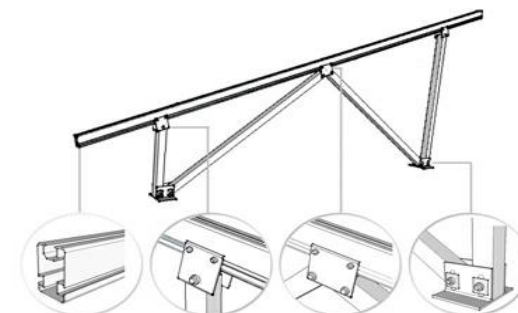
3 Install panel



Main Parameters

Customization

* Installation Site:	Open feild/ Ground
* Aarry Orientation:	Landscape/ Portrait
* Installation Angle:	10°-60°
* Max Wind Speed:	60m/s
* Max Snow Load:	1.4KN/m2
* Material:	Al 6005 T5
* Foundation:	Ground screw/ Concrete
* Standard:	AS/NZS 1170, Sgs, Tuv
* 10 years warranty, 20 years duration	



Highly Pre-assamble

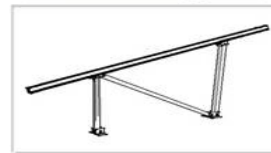


Structure Type

Strengthening W Type



General N Type

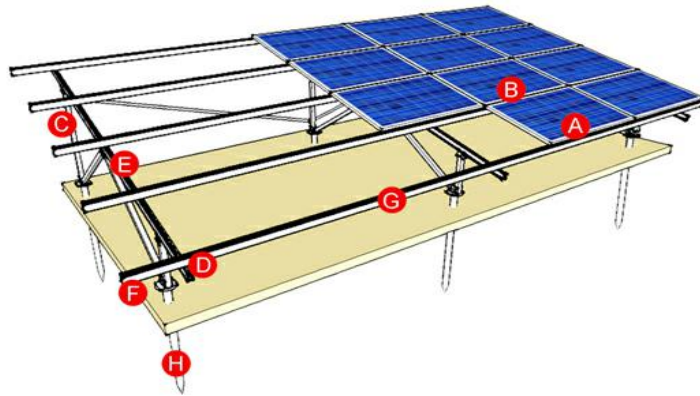


A Type



Aluminum Solar Ground Mount

Stonergy Aluminum Ground Mounting System is made of aluminum 6005 T5 with light weight, strong structure, it is applicable to the open field, not only residential projects but also big commercial projects.

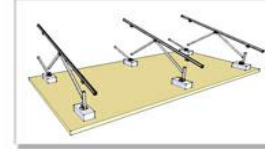


Main Components



Main Installation Guide

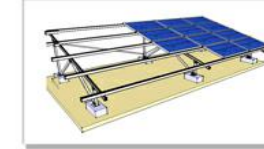
1 Install support structure



2 Install rail



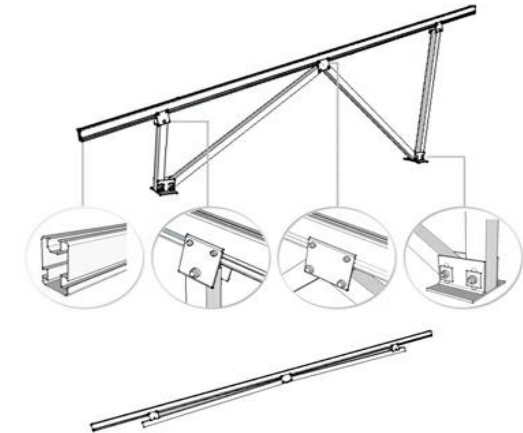
3 Install panel



Main Parameters

Customization

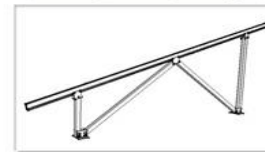
* Installation Site:	Open field/ Ground
* Array Orientation:	Landscape/ Portrait
* Installation Angle:	10°-60°
* Max Wind Speed:	60m/s
* Max Snow Load:	1.4KN/m2
* Material:	Al 6005 T5
* Foundation:	Ground screw/ Concrete
* Standard:	AS/NZS 1170, Sgs, Tuv
* 10 years warranty, 20 years duration	



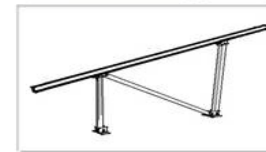
Highly Pre-assemble

Structure Type

Strengthening W Type



General N Type



A Type

